

JEC4530YS/B and JEC4536YS/B



NEW 30" AND 36" JENN-AIR® RADIANT COOKTOPS WITH ELECTRONIC CONTROLS

12/9/6" Triple and 10/6" Dual

- With an element that features three or two element sizes – 12/9/6" or 10/6" -- in one position, you can more closely match various cookware sizes with the appropriate elements for more efficient heating

Simmer On All Elements

- Each element offers precise and consistent control to reach the lowest temperatures for melting butter and simmering sauces

JEC4530Y
JEC4536Y

COLOR(S)

B **S**



OTO: 10/01/11

OTS: 10/31/11

Glass Touch Electronic Controls

- The cooktop controls provide a "barely there" look for a smooth, sleek surface that makes cooking and cleanup easy



Bevel and Stainless Trim

- Each cooktop features an elegant design from the beveled glass of the black models to the stainless trim on the stainless models

DELIVER IMPROVED PERFORMANCE, ELEGANT DESIGN, INTUITIVE CONTROLS AND COMPETITIVE PRICING!

- New Jenn-Air® cooktops with electronic controls were designed so they may be installed above a single oven and can fit in the standard cutout required for our current models*
- The cooktops integrate into any kitchen design with a subtle rectangular pattern on the glass

* Refer to the installation instructions for cut-out and all installation requirements, and check the label on the cooktop base for the approved ovens.

Jenn-Air Radiant Cooktops: From-To



30"

36"



Mod
Color
MAP/
MSRP

JEC8430
B
\$649/749

4 elements
Infinite Switch
9/6" Dual (2400/1200)
8" (2000)
7" (1800)
6" (1200)

JEC9530
B/F/S/R
\$899/999/1049

5 elements
Custom Control
9/6" Dual (3000/14000)
8" (2000)
7" (1800)
2 – 6" (1200/100)

JEC0530
B/S
\$1149/1249

5 elements
Tap Touch
9/6" Dual (3000/14000)
8" (2000)
3 – 6" (1200/1200/100)

JEC8536
B
\$949/1049

Infinite switch
9/6" Dual (2400/1200)
11/6" Oval (1800)
7" (1800)
2 – 6" (1200)

JEC9536
B/S/R
\$1099/1199/1249

Custom Control
12/9" Dual
9/6" Dual
7" (1800)
2 – 6" (1200/100)

JEC0536
B/S
\$1399/1499

Tap Touch
12/9/6" Triple (2700/2200/1050)
9/6" Dual (3000/1400)
7" (1800)
2 – 6" (1200/100)

Mod
Color
MAP/
MSRP

No Change

No Change



JEC4530Y
B/S
\$1099/1199

Tap Touch
5 elements
10/6" Dual (2500/1200)
9" (2200)
3 – 6" (1200/1200/100)
Patterned Glass
Beveled Glass
Welded Horizontal Trim
JA Built-in Oven compatible

No Change

No Change



JEC4536Y
B/S
\$1249/1349

Tap Touch
12/9/6" Triple (3000/1950/1050)
10/6" Dual (2500/1200)
3 – 6" (1200)
Patterned Glass
Beveled Glass
Welded Horizontal Trim
JA Built-in Oven compatible



Jenn-Air Radiant Cooktops: Dimension Detail

Dimension	Current (JEC0530/36)	New (JEC3430/36)
Cut-out Width (30")	29 1/16" +/- 1/16"	29 1/16" – 29 9/16"
Cut-out Width (36")	34 9/16" +/- 1/16"	34 9/16" – 35 9/16"
Cut-out Depth	20 3/8" +/- 1/16"	20 3/8" – 20 9/16"
Product Height	3 3/4" – knob 3 5/8" - TT	3 3/4" All
Product Depth	21 1/2"	21 3/4"
Product Width (30")	29 15/16"	30 13/16"
Product Width (36")	35 5/16"	36 5/16"

Above-Oven Install

- Install height of the oven for both stand-alone and combination for Jenn-Air brand is 4 5/8" above cabinet base with a 36" counter
- For most installs over a Jenn-Air oven, the oven itself will limit how high the oven can be installed before the cooktop height becomes an issue.

Current JEC0530/36 Dimension Guide

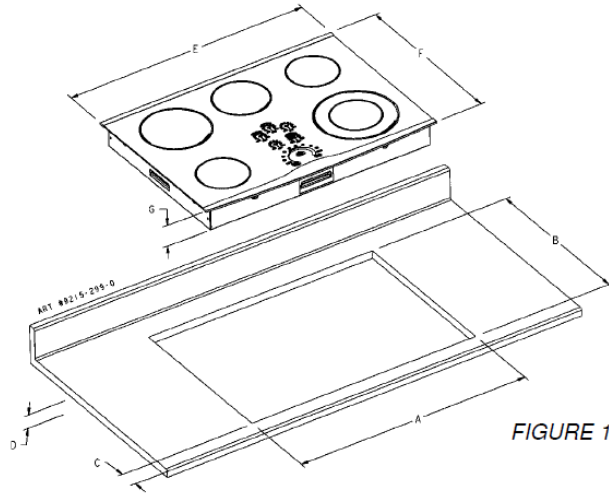


FIGURE 1

JEC0530 FOUR-ELEMENT RADIANT COOKTOPS

DIMENSIONS		
	inches	cm
A	29-1/16 ± 1/16	74.0 ± 0.2
B	20-3/8 ± 1/16	51.9 ± 0.2
C	2-1/8	5.4
D	4-1/4 min. clear	10.8
E	29-15/16	76.0
F	21-1/2	54.6
G	3-5/8	7.6

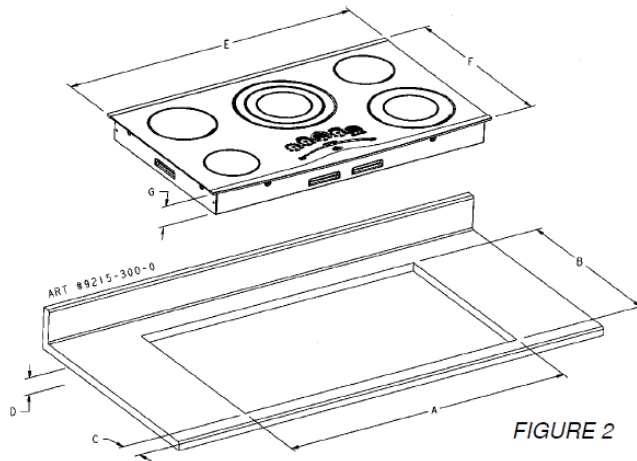


FIGURE 2

JEC0536 FIVE-ELEMENT RADIANT COOKTOPS

DIMENSIONS		
	inches	cm
A	34-9/16 ± 1/16	87.9 ± 0.2
B	20-3/8 ± 1/16	51.9 ± 0.2
C	2-1/8	5.4
D	4-1/4 min. clear	10.8
E	35-5/16	89.7
F	21-1/2	54.6
G	3-5/8	7.6

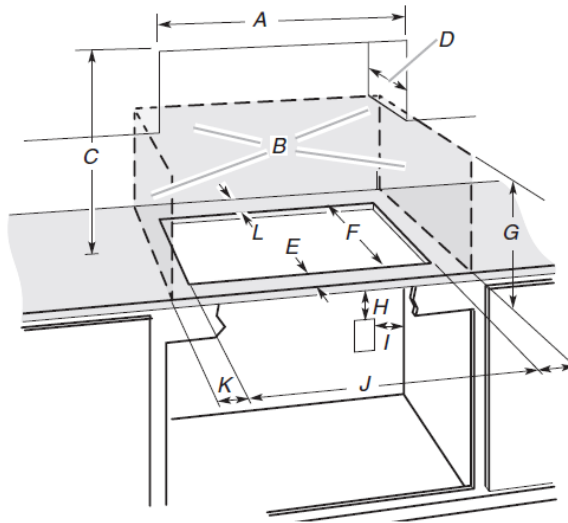
IMPORTANT

CUTOUT
DIMENSIONS ARE
CRITICAL

New JEC4530/36 Dimension Guide

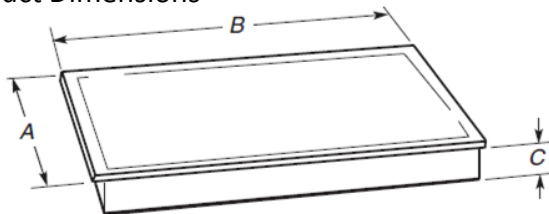


Cabinet Opening Dimensions



- A. 29 1/16" – 29 9/16" on 30" models; 34 9/16" – 35 9/16" on 36" models
- B. Combustible area above countertop (shown by dashed box above)
- C. 30" (76.2 cm) minimum clearance between top of cooktop platform and bottom of uncovered wood or metal cabinet (24" [61 cm] minimum clearance if bottom of wood or metal cabinet is covered by not less than 1/4" [0.6 cm] flame retardant millboard covered with not less than No. 28 MSG sheet steel, 0.015" [0.04 cm] stainless steel, or 0.024" [0.06 cm] aluminum or 0.020" [0.05 cm] copper)
- D. 13" (33 cm) recommended upper cabinet depth
- E. 2" (5.1 cm)
- F. 20 3/8" – 20 9/16"
- G. 18" (45.7 cm) minimum clearance from upper cabinet to countertop within minimum horizontal clearances to cooktop
- H. Junction box or outlet: 7" (17.8 cm) minimum from top of countertop
- I. Junction box or outlet: 9" (23.0 cm) maximum from right side of cabinet
- J. 29 1/2" +/- 1/16" (74.9 +/- 0.16 cm) on 30" (76.2 cm) models 35 1/2" + 1/16" / - 15/16" (90.2 cm + 0.16 cm / - 2.38 cm) on 36" (91.4 cm) models
- K. 1" (2.5 cm) minimum distance to nearest left and right side combustibile surface above cooktop
- L. 1" (2.5 cm) minimum clearance between back wall and countertop

Product Dimensions



- A. 21 3/4" (55.2 cm)
- B. 30" (76.2 cm) models - 30 13/16" (78.4 cm)
36" (91.4 cm) models - 36 5/16" (92.3 cm)
- C. 3 3/4" (9.5 cm)

